

# K637

Super Sesamee Combination Locks Feature:

- Hardened Steel Full Metal E-Coated Jackets.
- Hardened Steel E-Coated Shroud (Model K646).
- 7/16" Chrome Plated Molybdenum Shackles.
- Inside Shackle Clearances: 1" (K636); 2" (K637).
- All brass interior mechanisms.
- Double sided locking shackle for pull strength.

### To Open

Padlock is pre set to 0-0-0-0. Turn the wheels to this combination. Depress shackle, shackle springs open.

### To Set or Change Your Combination:

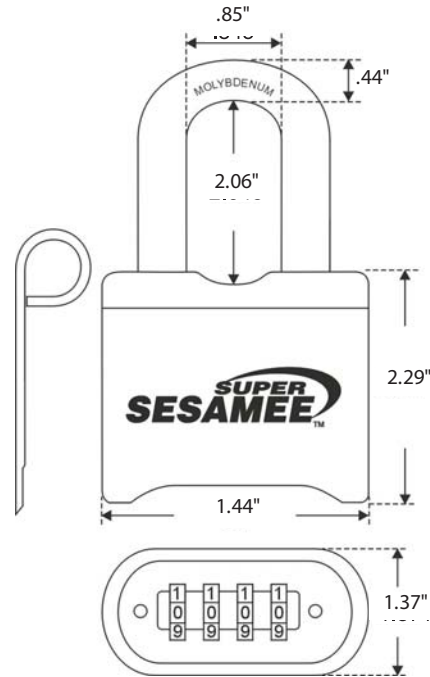
1. Open lock.
2. Push hooped change pin down into open shackle hole as far as it will go, with the hoop facing the two small screws on the top of the lock.
3. While the pin is fully inserted, set the 4 wheels to your chosen combination. Choose a number you will remember.
4. Pull out the change pin. Lock is now set to the new combination.

To Lock: Turn the wheels to scramble the numbers. Depress Shackle.

To Re-open: Dial-in your personal combination and depress the shackle. It will spring open.

Maintenance: Lubricate occasionally with a non petroleum based lubricant.

Opening in the Dark: All Super Sesamees have been designed for sightless operation. When turned in the correct direction, all wheels will stop at 0-0-0-0. Once this has been done, simply turn each wheel in the reverse direction and count the clicks until you reach your combination.



## Other FJM Security Padlocks

