

K500 3/4

Keyless means security and convenience. No keys to carry, lose or break. You set the combination to a number that's easy to remember -- your address, telephone number, birthday, anniversary, etc. Change the combination as often as you want. Up to 10,000 possible combinations.

Sesamee Padlocks are Built for Maximum Security and Guaranteed to Last a Lifetime.

Sesamee Padlocks Feature:

- Chrome plated, hardened steel shackle that resists sawing.
- Double-locking shackle for extra protection against prying.
- Solid brass body; corrosion resistant for long-lasting outdoor use.
- All brass internal mechanisms for strength and durability.

To Open: Padlock is pre-set to 0-0-0-0. Turn the wheels to this combination. Depress shackle.

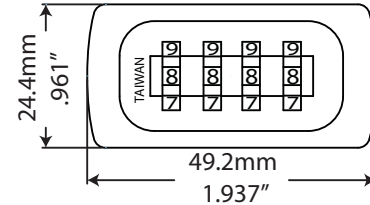
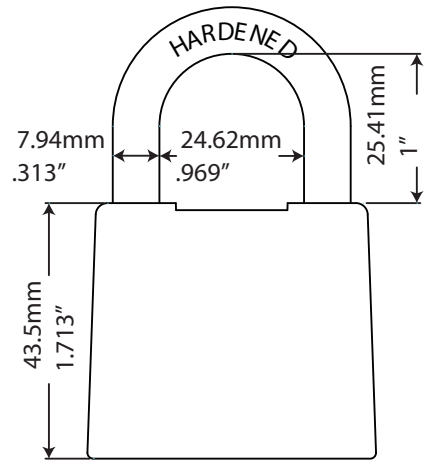
To Set or Change Your Combination:

1. Open lock.
2. Push change pin down into open shackle hole as far as it will go -- down to bend in the pin (see drawing).
3. While the pin is fully inserted, set combination to your chosen number. Pick a number you will remember and write it down as a record.
4. Pull out the change pin. Lock is now set to the new combination.

To Lock: Turn the wheels to scramble the numbers. Depress Shackle.

To Re-open: Dial-in your secret combination and depress the shackle. Lubricate occasionally with powdered graphite. Do not use oil.

Opening in the Dark: All Sesamees have been designed for sightless operation. When turned in the correct direction, all wheels will stop at 0-0-0-0. Once this has been done, simply turn each wheel in the reverse direction and count the clicks until you reach your combination.



Other FJM Security Padlocks

