

# Combi-Cam $\epsilon$



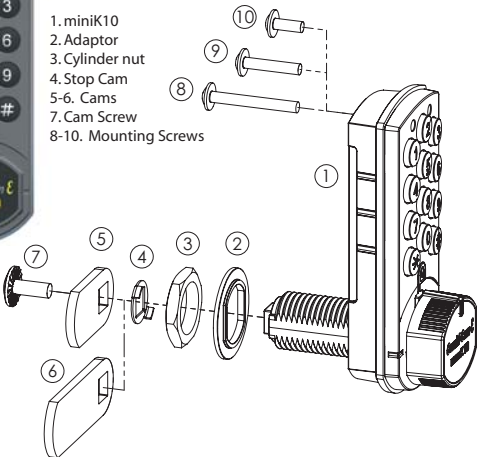
electronic cam lock

miniK10™

## INSTALLATION



1. miniK10
2. Adaptor
3. Cylinder nut
4. Stop Cam
- 5-6. Cams
7. Cam Screw
- 8-10. Mounting Screws



***NOTE: Read instructions, set combination and test lock BEFORE installing! Electronic Cabinet Locks***

**Replacing lock w/ electronic cabinet lock:**

1. Place mounting template centered on existing hole and mark upper mounting screw hole.
2. Drill mounting screw hole.
3. Install lock using adaptor if necessary.
4. Thread nut on cylinder of electronic cabinet lock.
5. Install mounting screw
6. Tighten both nut and mounting screw.
7. Test operation of electronic cabinet lock

**New Electronic Cabinet Locks Install:**

1. Place mounting template on door and mark upper mounting screw hole and lower cylinder hole
2. Drill mounting screw hole and cylinder holes.
3. Continue steps 4-7 above

**Note:** Before drilling holes, make sure MiniK10 is positioned with proper clearance for cam to work.

**Other Installations:** Go to [www.combi-cam.com/Install/](http://www.combi-cam.com/Install/)

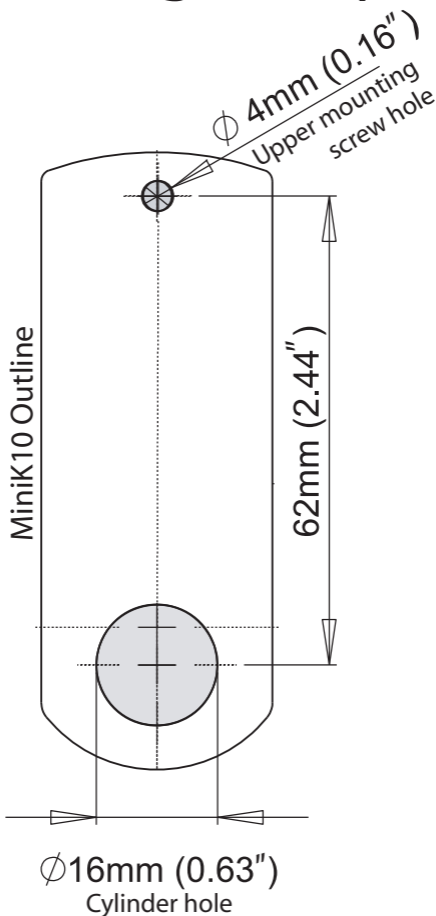
- More detailed instructions for Electronic Cabinet Locks
- Semiflush wood
- Semiflush metal

FJM Security Products  
800-654-1786  
[www.fjmsecurity.com](http://www.fjmsecurity.com)



# miniK10™

## Mounting Template



**Combi-Cam**  $\varepsilon$