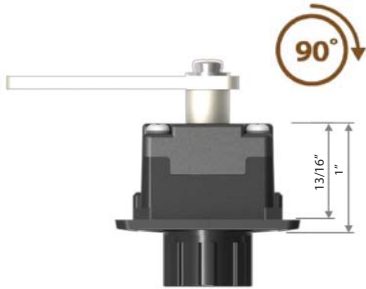
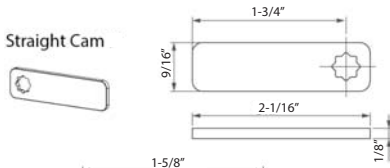


Installation and Specifications



All Panel Accessories to right and cam below included with lock.



Instructions



Security Products

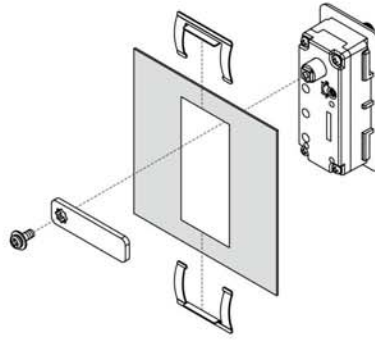
www.fjmsecurity.com

Over 400 more skus!

Installation

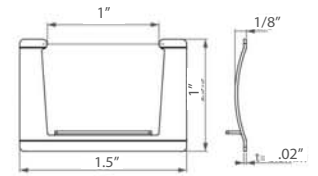
Panel thickness: 1/16"

drilling template for metal panel:

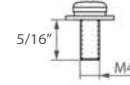


Accessories

Clip



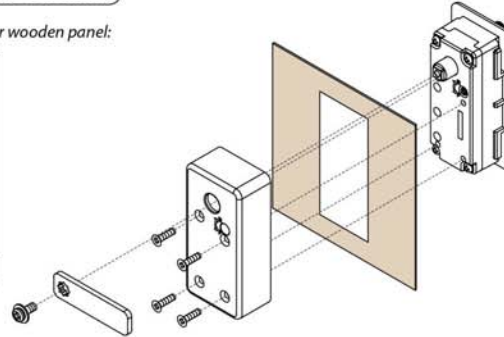
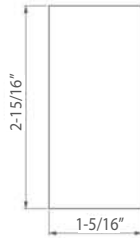
Screw 8



Installation

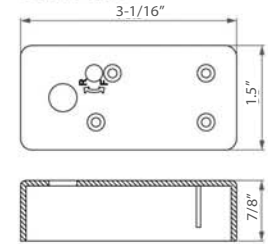
Panel thickness: 1/16" - 1/4"

drilling template for wooden panel:

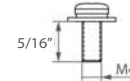


Accessories

Back Plate



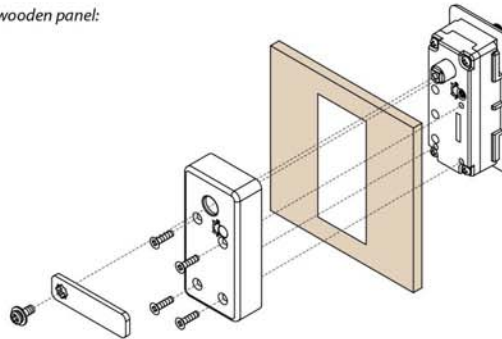
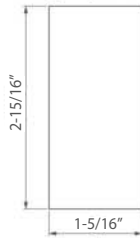
Screw 8



Installation

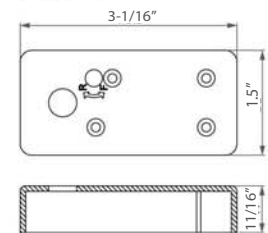
Panel thickness: 1/4" - 7/16"

drilling template for wooden panel:

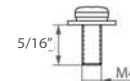


Accessories

Back Plate



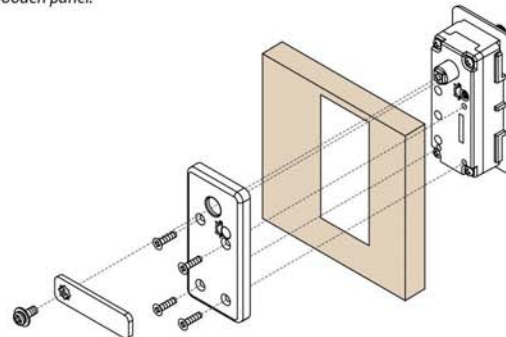
Screw 8



Installation

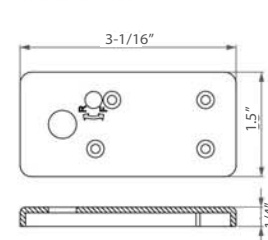
Panel thickness: 11/16" - 7/8"

drilling template for wooden panel:

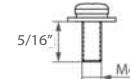


Accessories

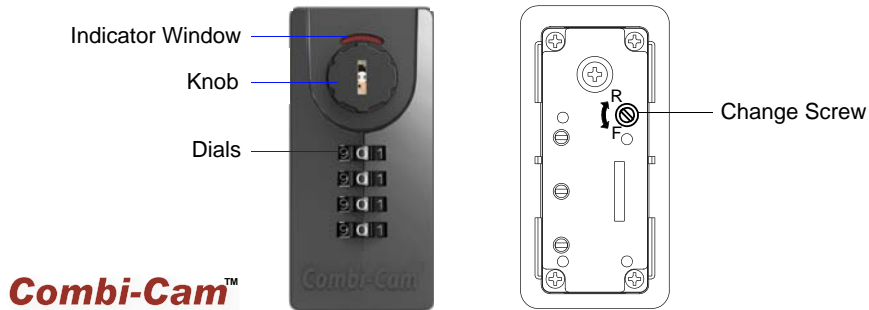
Back Plate



Screw 8



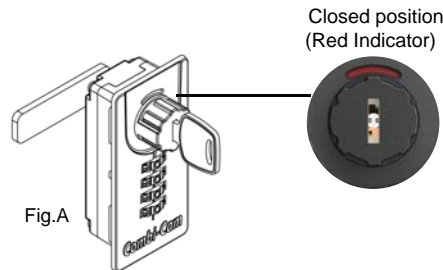
Discovering lost combination



Combi-Cam™

- Master Key operation may be used at any time to open a lock in an emergency.

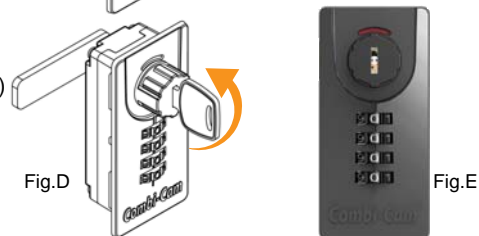
1. Insert the Master Key with the Knob is in Closed position. (Fig.A)



2. Turn Master Key clockwise 90 degrees. (Fig. B)
Gently rotate each dial (1) to down (4) until each stop. (Fig. C)



3. Turn Master Key counterclockwise 90 degrees (Fig. D) and remove key. You can now keep using the discovered combination or reset to a new code. (Fig. E)



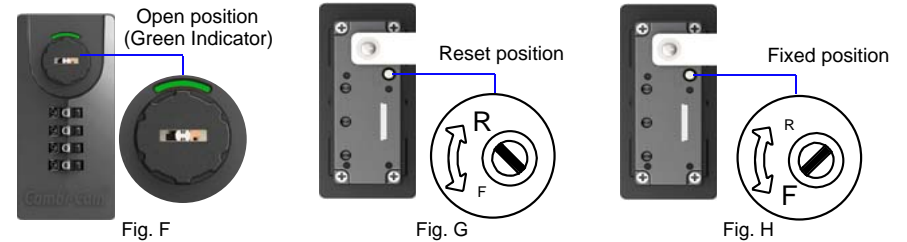
How to set combination

- To set a new combination, there are 2 modes of operation, fixed combination or open-reset combination.
- The factory preset combination is 0-0-0-0.

FIXED VERSION

In fixed combination mode, the combination to open the lock will always be the same.

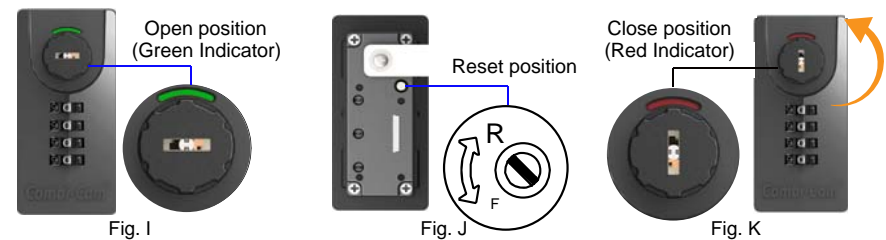
1. Turn Knob clockwise 90 degrees to open position. Indicator in window will turn from red to green. (Fig. F)
2. Turn Change Screw on back of lock to "R" position. (Fig. G)
3. Set your own desired combination.
4. Return Change Screw back to "F" position. Now, lock is set to continuously open using desired fixed combination. (Fig. H)



OPEN-RESET VERSION

In the open-reset combination mode, each time the lock is used, a new combination can be used. Lock is open, change to desired code, close to lock and scramble dials. Use the same code to open the lock. This is sometimes called locker mode or one time use mode.

1. Turn Knob clockwise 90 degrees to open position. The Indicator in window will turn from red to green. (Fig. I)
2. Turn Change Screw on back of the lock to "R" position. Leave Change Screw in "R" position. (Fig. J)
3. Now any combination entered prior to turning Knob to locked (red indicator) becomes the combination required to open the lock again. (Fig. K)



- Close the door and scramble the dials before leaving. Now your cabinet is locked.
- Always keep your secret combinations in a safe and accessible place for future reference.



Security Products

www.combi-cam.com

www.fjmsecurity.com